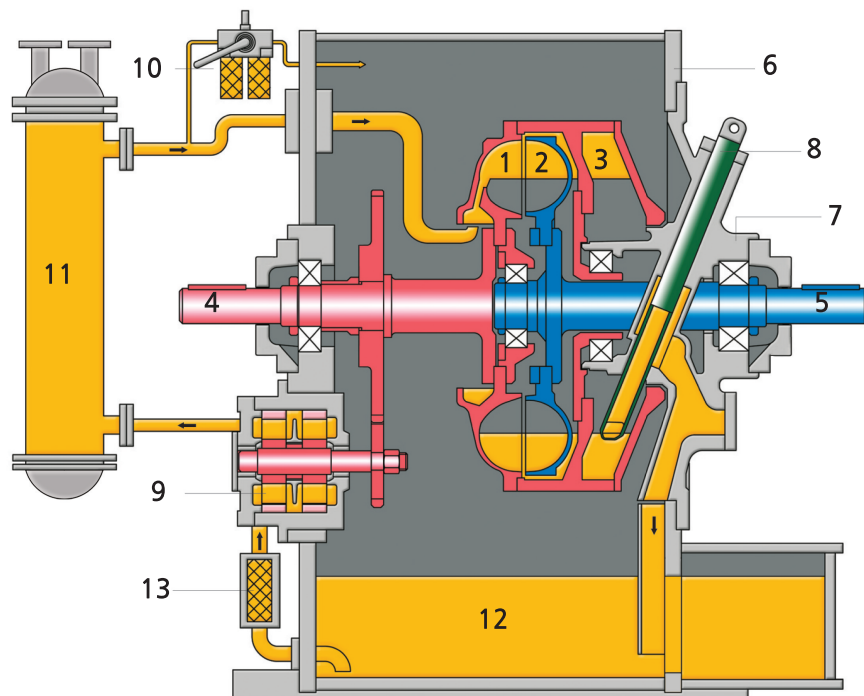
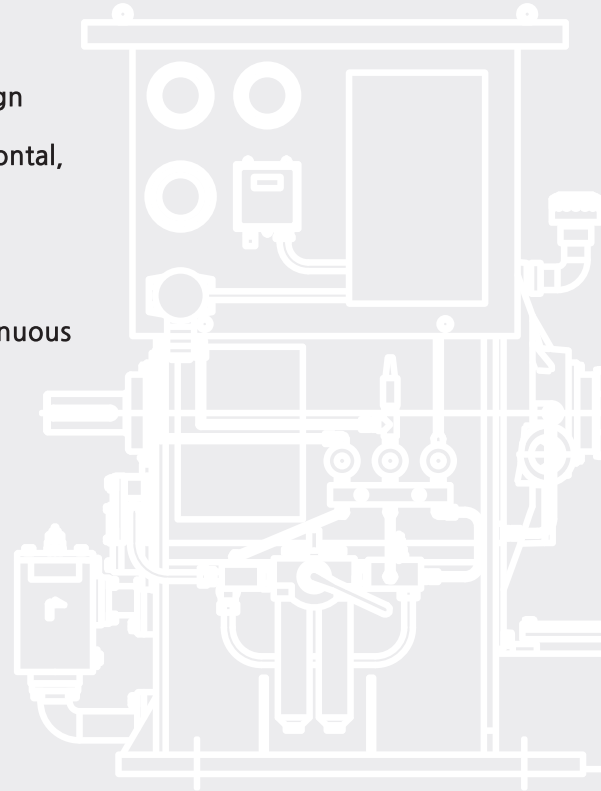


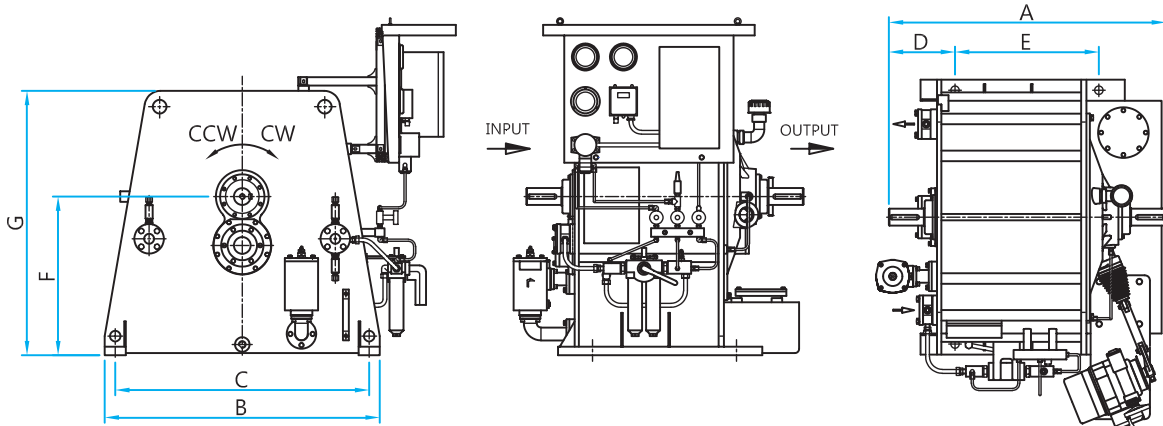
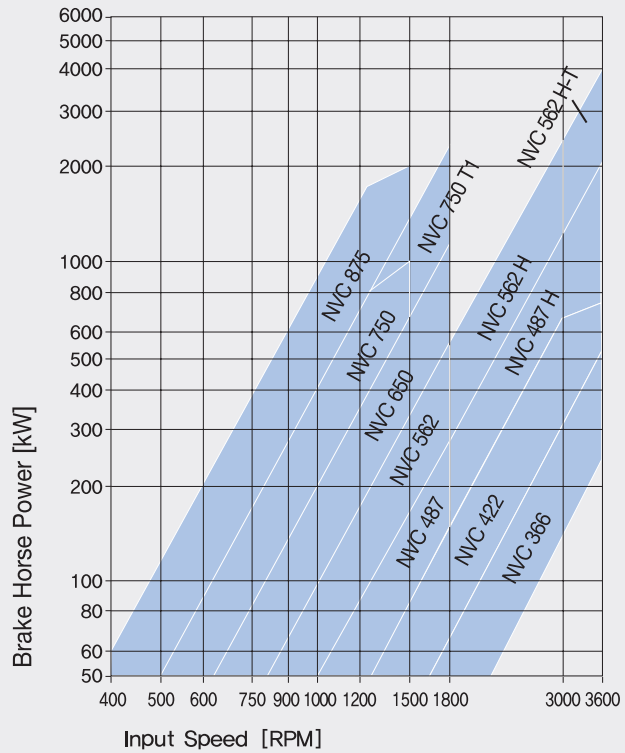
Type NVC

- Simplified and Economical Design
- Tunnel Type Housing and Horizontal, self-supporting
- Internal Oil Pump
- Antifriction Bearings with Continuous Lubrication
- Oil Cooling system
- Remote and Auto. Control.
- Speed Control of 25%~100%



- | | | | |
|--------------------|-------------------|----------------|----------------|
| 1. Pump Wheel | 2. Turbo Wheel | 3. Shell | 4. Input Shaft |
| 5. Output Shaft | 6. Housing | 7. Scoop Case | 8. Scoop Tube |
| 9. Oil Pump | 10. Duplex Filter | 11. Oil Cooler | 12. Oil Tank |
| 13. Suction Filter | | | |

Selection



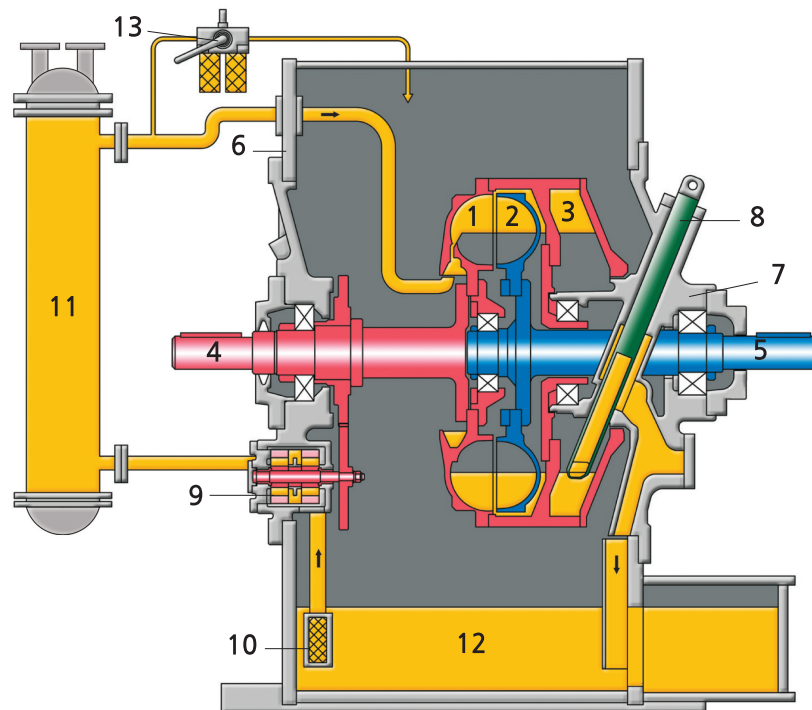
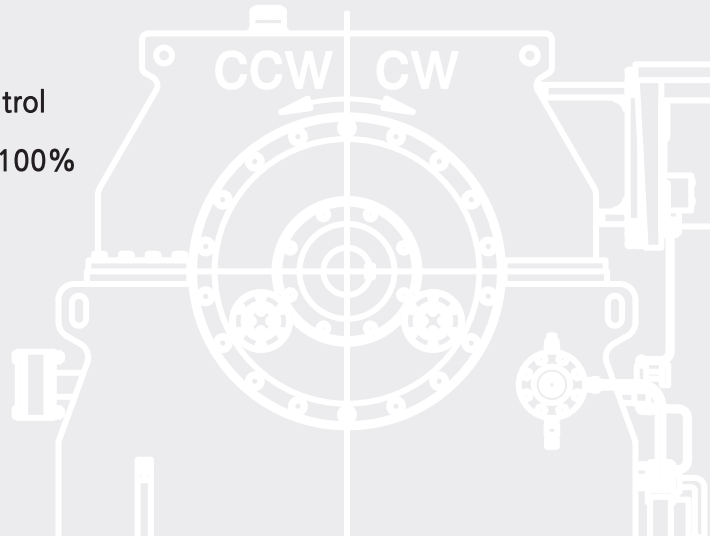
(Unit: mm)

SIZE	A	B	C	D	E	F	G	Oil (Liters)	Weight (kgf)
NVC366	1000	980	900	220	560	500	825	120	630
NVC422	1000	980	900	220	560	500	825	130	650
NVC487	1148	1060	1000	260	620	630	1030	220	1100
NVC487H	1255	1780	1000	131	860	800	1230	510	1700
NVC562	1148	1060	1000	260	620	630	1030	220	1200
NVC562H	1255	1780	1000	131	860	800	1230	510	1850
NVC562H-T	1358	1350	1210	85	1200	800	1270	460	2480
NVC650	1310	1310	1200	313	680	750	1275	310	1600
NVC750	1310	1310	1200	313	680	750	1275	320	1800
NVC750T1	1469	1400	1300	350	760	725	1280	420	2200
NVC875	1470	1475	1350	370	780	850	1475	370	2300

- Dimensions are subject to alteration without notice.
- The oil quantity is only for oil tank in the variable speed fluid coupling. (The quantity of oil for oil cooler and oil in the pipings are excluded.)

Type NVCH

- Self-Supporting Design with Horizontally Split Housing
- Easy for Inspection and Maintenance
- Internal Oil Pump
- Antifriction Bearing with Continuous Lubrication
- Oil Cooling System
- Remote and Auto control
- Speed Control of 25~100%



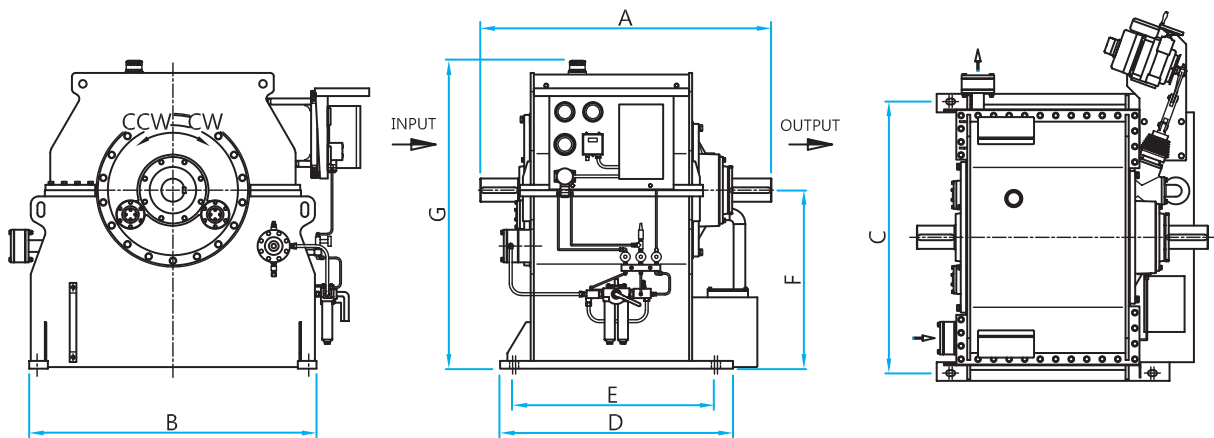
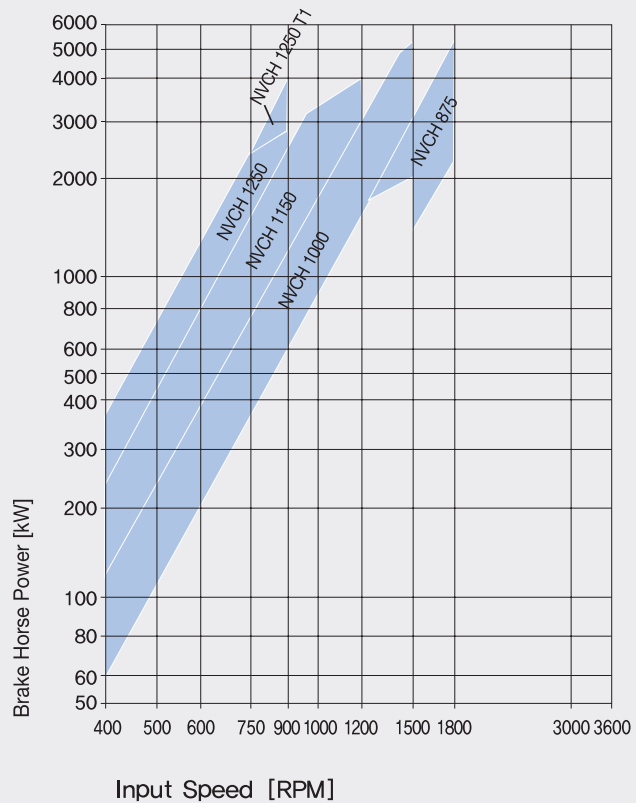
1. Pump Wheel
5. Output Shaft
9. Oil Pump
13. Duplex Filter

2. Turbo Wheel
6. Housing
10. Suction Filter

3. Shell
7. Scoop Case
11. Oil Cooler

4. Input Shaft
8. Scoop Tube
12. Oil Tank

Selection



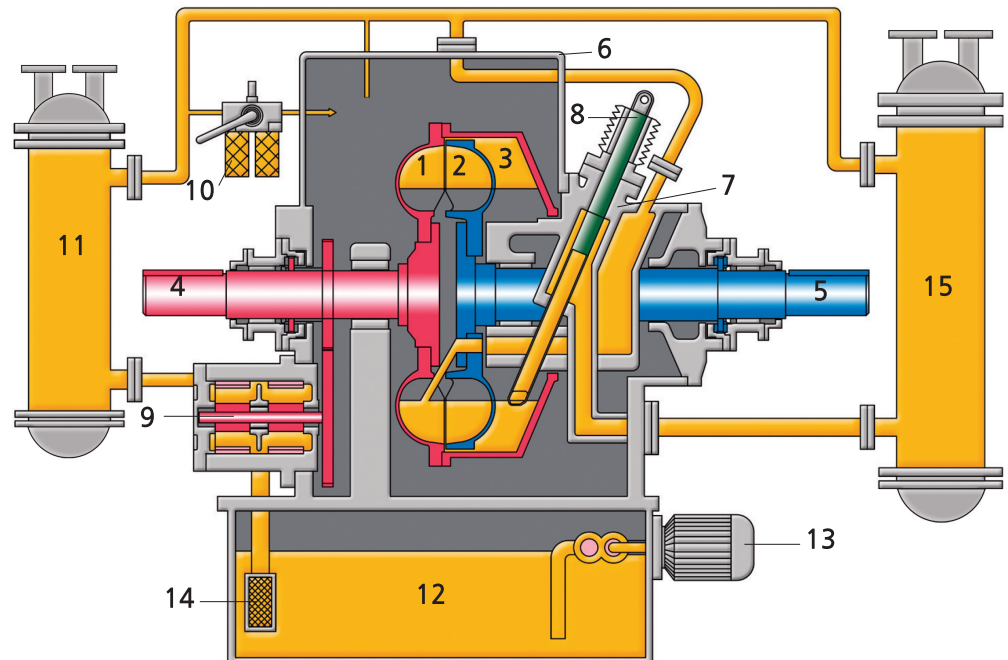
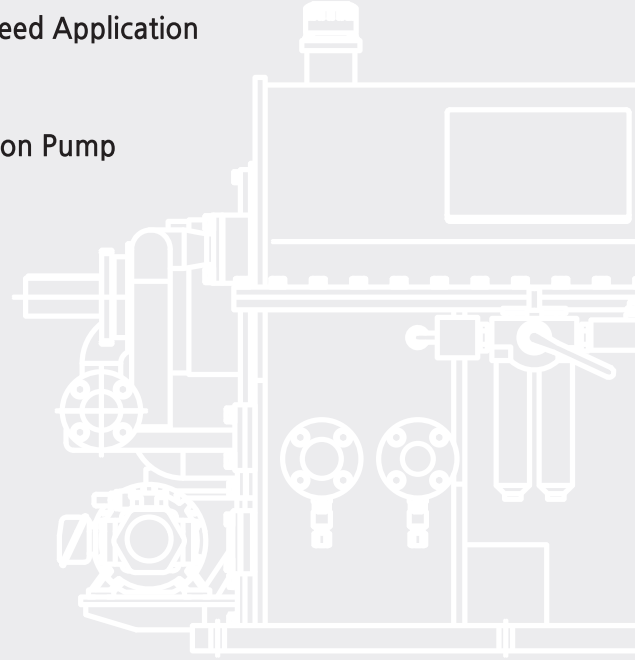
(Unit: mm)

SIZE	A	B	C	D	E	F	G	Oil (Liters)	Weight (kgf)
NVCH875	1750	1500	1400	1140	930	850	1400	550	2700
NVCH1000	1880	1855	1750	1500	1300	1150	1986	950	4600
NVCH1150	1880	1855	1750	1500	1300	1150	1986	950	5000
NVCH1250	2250	2160	1600	2100	1950	1170	2131	1250	7600
NVCH1250T1	2250	2160	1600	2100	1950	1170	2131	1250	9500

- Dimensions are subject to alteration without notice.
- The oil quantity is only for oil tank in the variable speed fluid coupling. (The quantity of oil for oil cooler and oil in the pipings are excluded.)

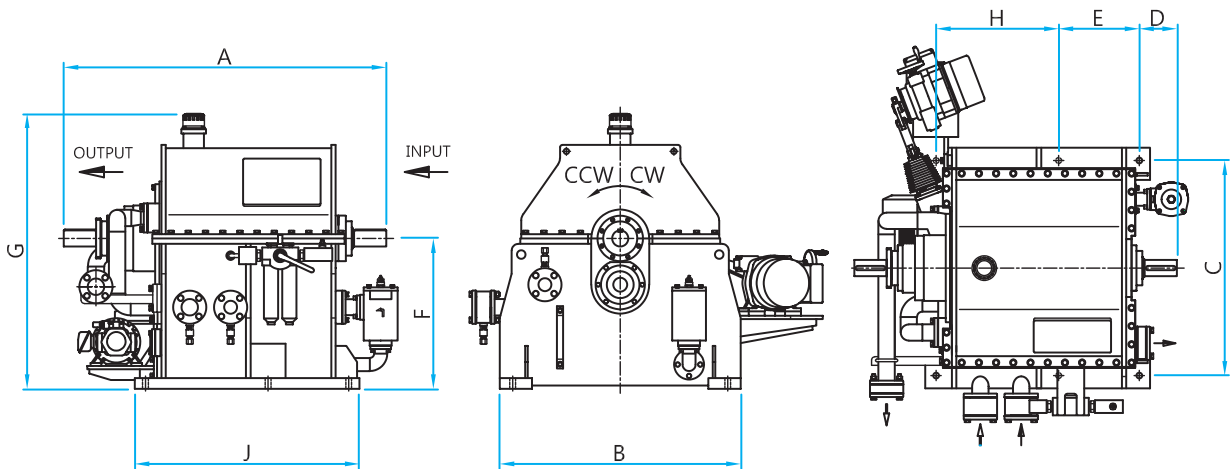
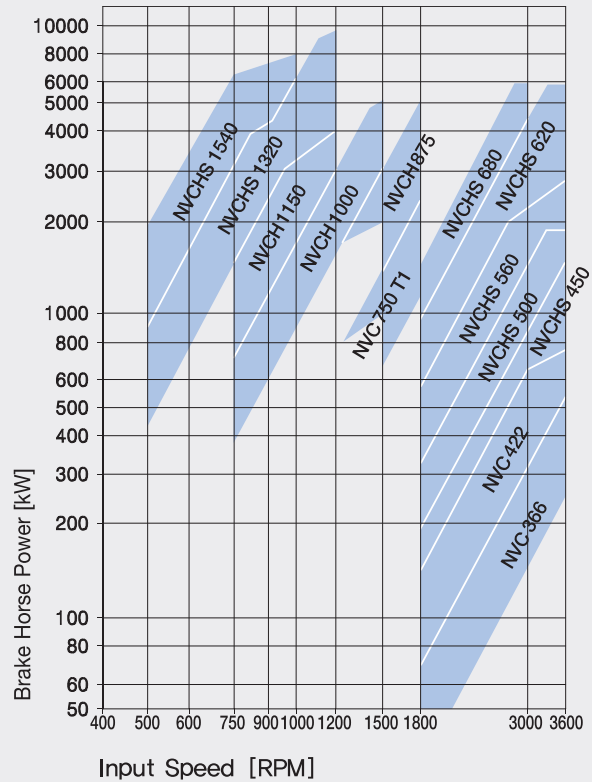
Type NVCHS

- Self-Supporting Design with Horizontally Split Housing
- Sleeve Bearings for High-Speed Application
- Internal Oil Pump
- Motor Driven Aux. Lubrication Pump
- Oil Cooling System
- Speed Control of 25~100%



- | | | | |
|------------------------|--------------------|--------------------------------|----------------|
| 1. Pump Wheel | 2. Turbo Wheel | 3. Shell | 4. Input Shaft |
| 5. Output Shaft | 6. Housing | 7. Scoop Case | 8. Scoop Tube |
| 9. Oil Pump | 10. Duplex Filter | 11. Oil Cooler for Lub Oil | 12. Oil Tank |
| 13. Aux. Lub. Oil Pump | 14. Suction Filter | 15. Oil Cooler for Working Oil | |

Selection



(Unit: mm)

SIZE	A	B	C	D	E	F	G	H	J	Oil (Liters)	Weight (kgf)
NVCHS450	1350	1010	900	155	340	630	1155	510	940	250	1700
NVCHS500	1500	1120	1000	175	375	700	1281	570	1045	300	1950
NVCHS560	1750	1350	1200	200	485	810	1450	615	1200	450	2450
NVCHS620	2050	1450	1300	235	560	900	1600	780	1800	510	3840
NVCHS680	2200	1500	1350	250	575	900	1600	845	1850	560	4700
NVCHS1320	3250	2050	1925	325	-	1170	2250	850x3	2750	1500	14000
NVCHS1540	3250	2050	1925	325	-	1170	2250	850x3	2750	1500	15000

• Dimensions are subject to alteration without notice.

• The oil quantity is only for oil tank in the variable speed fluid coupling. (The quantity of oil for oil cooler and oil in the pipings are excluded.)