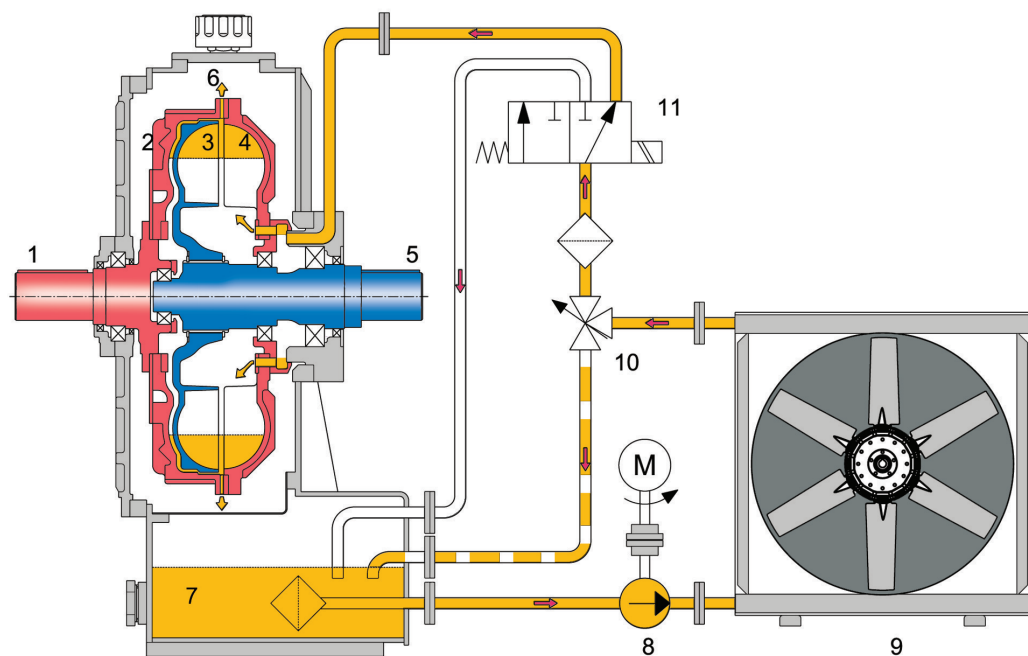


Type NTC

- Drain type Variable Speed Fluid Coupling
- CW and CCW Operating Direction available
- Suitable for Belt Conveyor Operation and Inspection Speed control
- Self Supporting Tunnel type Housing
- Externally Motor driven Oil feeding Pump
- Variable Output speed achieved by Oil Flow Rate control through Flow Control Valve
- Remote and Auto. Control
- Antifriction Bearings with Continuous Lubrication

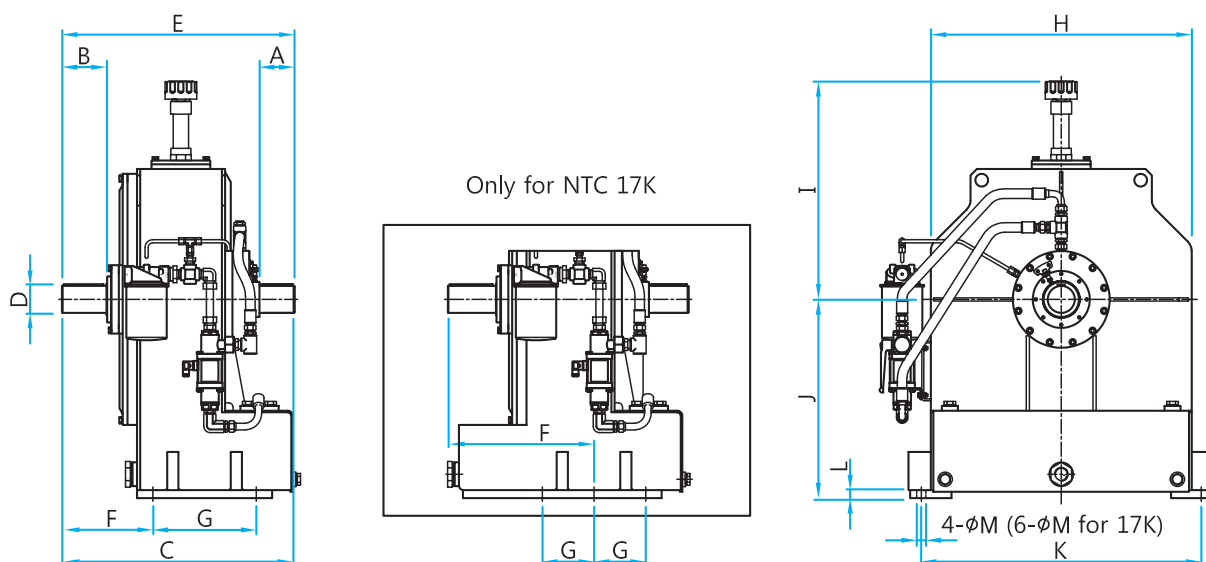


- | | | |
|--------------------------|----------------------|-----------------|
| 1. Outer Wheel shaft | 2. Impeller Cover | 3. Inner Wheel |
| 4. Outer Wheel | 5. Inner Wheel Shaft | 6. Drain Nozzle |
| 7. Housing With Oil Tank | 8. Oil Pump | 9. Oil Cooler |
| 10. Flow Control Valve | 11. Solenoid Valve | |

Selection

(Unit: kW)

Model No. / Input Speed [rpm]	1000	1200	1500	1800	3000	3600
NTC 15K	-	-	-	-	~320	~455
NTC 17K	-	-	-	-	~575	~610
NTC 19K	~75	~100	~165	~280	-	-
NTC 21K	~110	~160	~240	~410	-	-
NTC 24K	~160	~230	~320	~550	-	-
NTC 27K	~230	~310	~580	~1020	-	-
NTC 29K	~370	~530	~1050	~1720	-	-



(Unit: mm)

SIZE	A	B	C	D	E	F	G	H	I	J	K	L	M	OIL (Liter)	Weight (kgf)
NTC15K	110	110	610	65	610	247	280	672	620	520	730	20	22	43	305
NTC17K	120	120	630	75	636	330	211	672	620	580	730	20	22	90	530
NTC19K	120	120	630	75	636	261	280	672	620	520	730	20	22	45	330
NTC21K	140	140	730	85	731	286	325	825	690	625	880	25	26	85	510
NTC24K	140	140	730	85	731	286	325	825	690	625	880	25	26	85	530
NTC27K	180	180	870	100	920	364	390	895	720	700	960	25	29	120	830
NTC29K	180	180	920	120	970	364	440	975	760	750	1040	25	29	145	1020

• Dimensions are subject to alteration without notice.

• The oil quantity is only for oil tank in the variable speed fluid coupling. (The quantity of oil for oil cooler and oil in the pipings are excluded.)